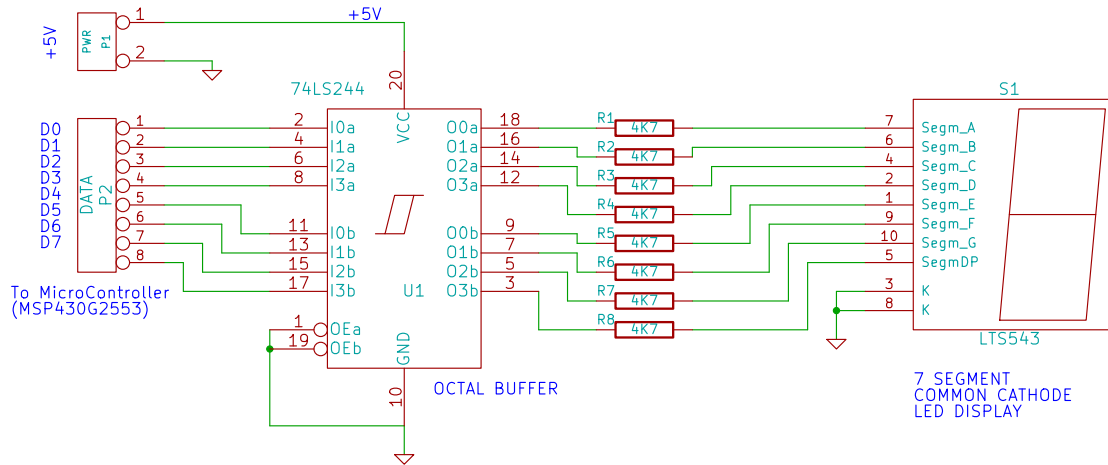


# 7 Segment Common Cathode LED Display Driver

[www.xanthium.in](http://www.xanthium.in)



<b>Rahul.S</b>		
File: LED-7SEG-DISPLAY-Interfacing.sch		
Sheet: /		
<b>Title: 7 Segment LED Display Driver</b>		
Size: User	<b>Date: 18 jun 2015</b>	<b>Rev: 1.0</b>
KiCad E.D.A.		Id: 1/1